

## 500KGS ENGINE SUPPORT REF.: 2062



### Application:

This bar allows use in heavy jobs such as removal of the transmission  
Comes with parts needed to perform work on the transmission or engine of the vehicle, steel beam, foot blocks, rubber supports, chains and hooks

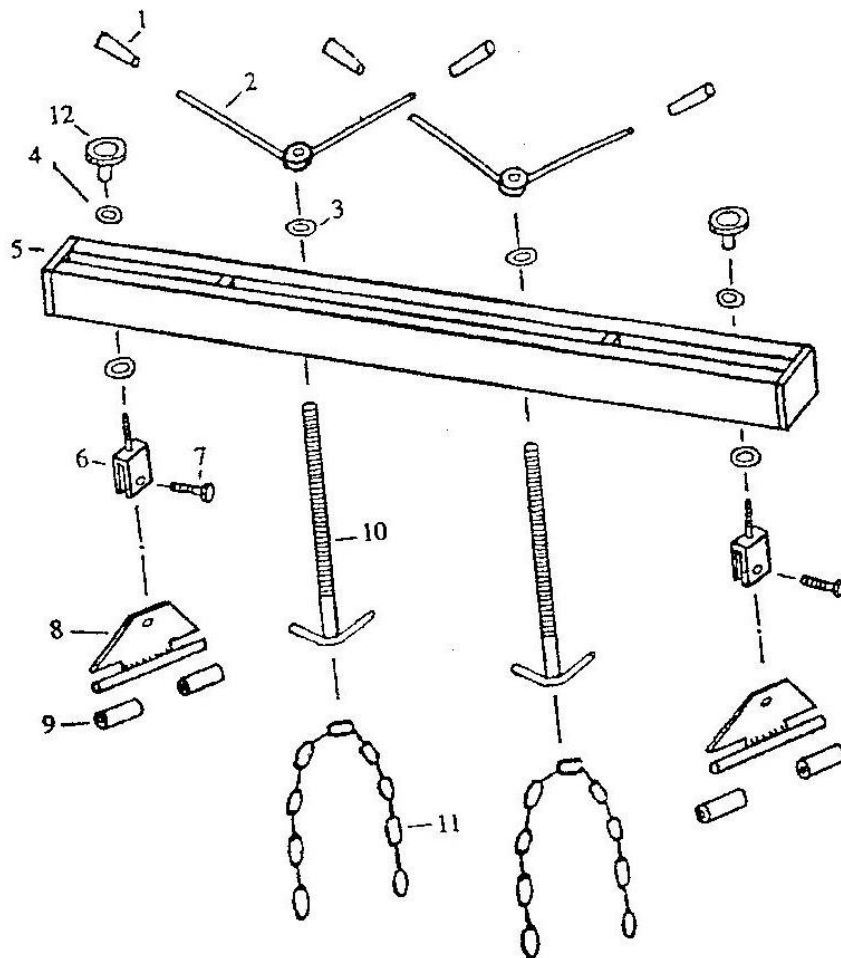
The brackets bring rubber so that it does not damage the paint of the vehicle

The engine mount is designed to support the engine so that parts and mechanisms underneath can be achieved

Capacity: 500kg.

When we need to lift the engine up from the car or the truck smoothly, you can use this engine support. Put the rubber blocks (#9) in the drains round the engine. Then swivel the grip handle (#2) so that to lift the engine up smoothly.

**Warning:** Please do not exceed the maximum capacity-500KG in order to avoid the property damage.



N.º	Description	Qty.	N.º	Description	Qty.
1	Handle Sleeve	4	7	Bolt M12x25	2
2	Grip Handle	2	8	Standing Bracket	2
3	Washer	4	9	Rubber Block	4
4	Washer	2	10	Adjustable Screw	2
5	Beam	1	11	Chain	2
6	Standing Block and bolt	2	12	Look Nut	2